



Sistemi lineari per alberi



CATALOGO BREVE

forniture
per
l'industria
gelmini s.r.l.

forniture per l'industria gelmini s.r.l.

Sede: Parma – Via Cerati 3/A – tel. 0521.993844 fax 0521.291688

Filiale: Guidizzolo (MN) – Via Tiziano, 11 – tel. 0376.847123 fax 0376.840319

www.fornituregelmini.it mail: info@fornituregelmini.it



CUSCINETTI PER MOVIMENTAZIONE LINEARE
LINEAR BEARINGS

Cuscinetti per movimentazione lineare

Linear bearings



1. Caratteristiche tecniche

I prodotti NBS per la movimentazione lineare su albero sono stati ideati per offrire buone prestazioni mantenendo un minimo coefficiente di attrito. Il loro impiego trova applicazione in svariati campi, quali parti mobili di macchine confezionatrici, macchine utensili, macchine per la lavorazione dell'alluminio e del legno, sistemi di protezione e copertura, robots, sistemi di posizionamento e strumentazioni di misura e controllo.

1. Technical characteristics

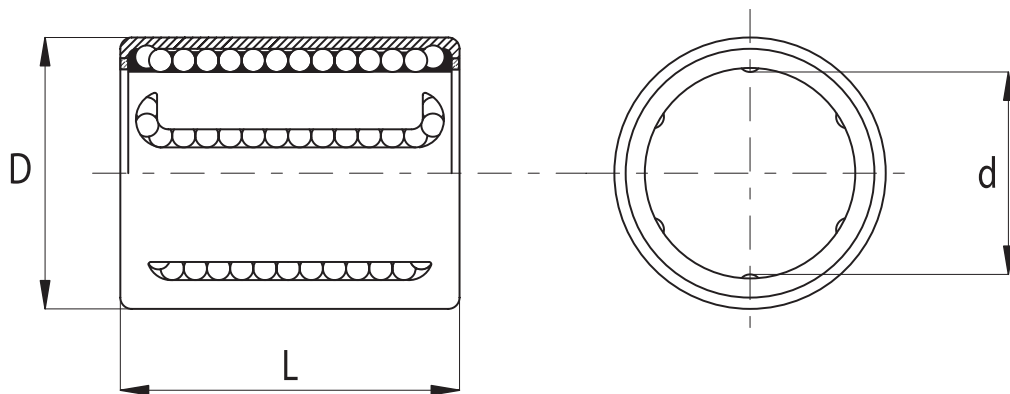
NBS linear bearings have been made to offer a good performance by keeping a minimum friction coefficient. They apply to different sectors, such as package machines, tool machines, wood and aluminium working machines, protection and covering systems, robots, positioning systems and measurement instruments too.

Forniture per l'industria gelmini s.r.l.

Parma - 0521.993844 Fax 0521.291688

Guidizzolo (MN) - 0376.847123 Fax 0376.840319

www.fornituregelmini.it

KH

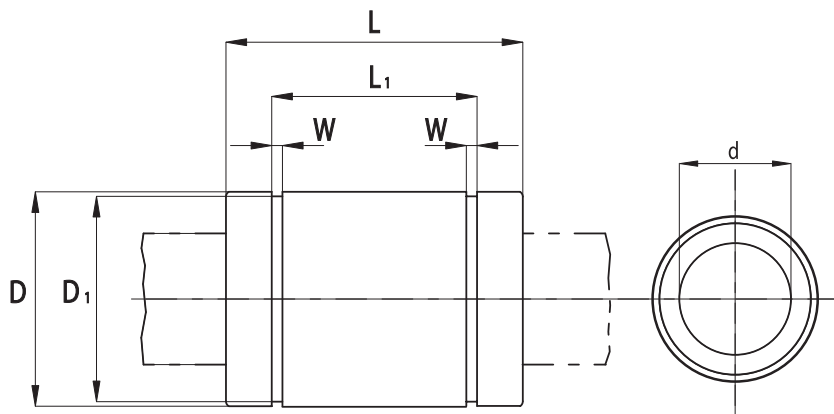
Tipologia Type	Peso Weight [N]	d [mm]	D [mm]	L [mm]	Capacità di Carico Load capacity rating [N]	
					C	C ₀
KH 06 22	0.07	6	12	22	400	239
KH 08 24	0.12	8	15	24	435	280
KH 10 26	0.14	10	17	26	500	370
KH 12 28	0.18	12	19	28	620	510
KH 14 28	0.20	14	21	28	620	520
KH 16 30	0.27	16	24	30	800	620
KH 20 30	0.33	20	28	30	950	790
KH 25 40	0.66	25	35	40	1990	1670
KH 30 50	0.95	30	40	50	2800	2700
KH 40 60	1.84	40	52	60	4400	4450
KH 50 70	2.5	50	62	70	5500	6300

Sigla d'ordine/Specification number:
Sigla d'ordine/Specification number:

KH - d - PP
KH - d

[tenute in entrambi i lati / seals on both sides].
[senza tenute / without seals].

Esempio: KH 16 PP (modello KH, diametro albero 16 mm, tenute in entrambi i lati).
Example: KH 16 PP (model KH, shaft diameter 16 mm, seals on both sides).

KB**Gabbia in poliammide - Polyamide cage**

Tipologia Type	N° riciccoli Number of ball rows	Peso Weight [N]	d [mm]	d Tolleranza Tolerance [μm]	D [mm]	D Tolleranza Tolerance [μm]	L [mm]	L Tolleranza Tolerance [mm]
KB 05 22	4	0.12	5	+8 ÷ 0	12	0 ÷ -8	22	0 ÷ -0.2
KB 08 25	4	0.20	8	+8 ÷ 0	16	0 ÷ -8	25	0 ÷ -0.2
KB 10 29	4	0.34	10	+8 ÷ 0	19	0 ÷ -8	29	0 ÷ -0.2
KB 12 32	4	0.41	12	+8 ÷ 0	22	0 ÷ -9	32	0 ÷ -0.2
KB 16 36	5	0.57	16	+9 ÷ -1	26	0 ÷ -9	36	0 ÷ -0.2
KB 20 45	5	0.91	20	+9 ÷ -1	32	0 ÷ -11	45	0 ÷ -0.2
KB 25 58	6	2.15	25	+11 ÷ -1	40	0 ÷ -11	58	0 ÷ -0.3
KB 30 68	6	3.25	30	+11 ÷ -1	47	0 ÷ -11	68	0 ÷ -0.3
KB 40 80	6	7.05	40	+13 ÷ -2	62	0 ÷ -13	80	0 ÷ -0.3
KB 50 100	6	11.3	50	+13 ÷ -2	75	0 ÷ -13	100	0 ÷ -0.3
KB 60 125	6	22.2	60	+13 ÷ -2	90	0 ÷ -15	125	0 ÷ -0.4

Tipologia Type	L ₁ [mm]	L ₁ Tolleranza Tolerance [mm]	W [mm]	D ₁ [mm]	Eccentricità max Max eccentricity [μm]	Tolleranza gioco radiale Radial clearance tolerance [μm]	Capacità di Carico Load capacity rating [N]	
							C	C ₀
KB 05 22	14.5	0 ÷ -0.2	1.1	11.5	12	-5	210	270
KB 08 25	16.5	0 ÷ -0.2	1.1	15.2	12	-5	270	410
KB 10 29	22	0 ÷ -0.2	1.3	18	12	-5	370	470
KB 12 32	22.9	0 ÷ -0.2	1.3	21	12	-7	520	790
KB 16 36	24.9	0 ÷ -0.2	1.3	24.9	12	-7	590	910
KB 20 45	31.5	0 ÷ -0.2	1.6	30.3	15	-9	880	1400
KB 25 58	44.1	0 ÷ -0.3	1.85	37.5	15	-9	1000	1600
KB 30 68	52.1	0 ÷ -0.3	1.85	44.5	15	-9	1600	2800
KB 40 80	60.6	0 ÷ -0.3	2.15	59	17	-13	2200	4000
KB 50 100	77.6	0 ÷ -0.3	2.65	72	17	-13	3900	8100
KB 60 125	101.7	0 ÷ -0.4	3.15	86.5	20	-16	4800	10200

Sigla d'ordine/Specification number:

KB - d - PP

[tenute in entrambi i lati / seals on both sides].

Sigla d'ordine/Specification number:

KB - d

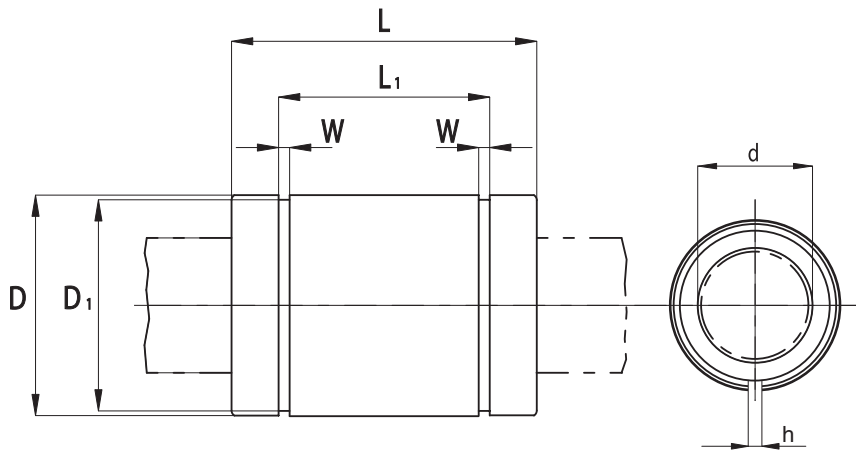
[senza tenute / without seals].

Esempio: KB 20 PP (modello KB, diametro albero 20 mm, tenute in entrambi i lati).

Example: KB 20 PP (KB model, shaft diameter 20 mm, seals on both sides).

Su richiesta sono disponibili anche con gabbia in acciaio.

Under request are available, also with steel cage.

KBSGabbia in poliammide - *Polyamide cage*

Tipologia Type	N° ricircoli Number of ball rows	Peso Weight [N]	d [mm]	d Tolleranza Tolerance [μm]	D [mm]	D Tolleranza Tolerance [μm]	L [mm]	L Tolleranza Tolerance [mm]
KBS 05 22	4	0.12	5	+8 \div 0	12	0 \div -8	22	0 \div -0.2
KBS 08 25	4	0.20	8	+8 \div 0	16	0 \div -8	25	0 \div -0.2
KBS 10 29	4	0.34	10	+8 \div 0	19	0 \div -8	29	0 \div -0.2
KBS 12 32	4	0.41	12	+8 \div 0	22	0 \div -9	32	0 \div -0.2
KBS 16 36	5	0.57	16	+9 \div -1	26	0 \div -9	36	0 \div -0.2
KBS 20 45	5	0.91	20	+9 \div -1	32	0 \div -11	45	0 \div -0.2
KBS 25 58	6	2.15	25	+11 \div -1	40	0 \div -11	58	0 \div -0.3
KBS 30 68	6	3.25	30	+11 \div -1	47	0 \div -11	68	0 \div -0.3
KBS 40 80	6	7.05	40	+13 \div -2	62	0 \div -13	80	0 \div -0.3
KBS 50 100	6	11.3	50	+13 \div -2	75	0 \div -13	100	0 \div -0.3
KBS 60 125	6	22.2	60	+13 \div -2	90	0 \div -15	125	0 \div -0.4

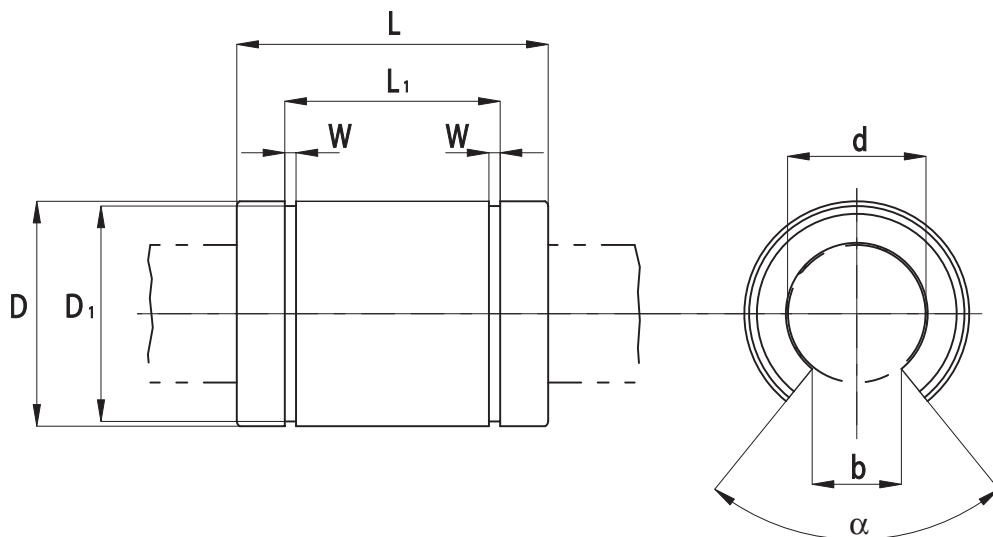
Tipologia Type	L ₁ [mm]	L ₁ Tolleranza Tolerance [mm]	W [mm]	h [mm]	D ₁ [mm]	Eccentricità max Max eccentricity [μm]	Tolleranza gioco radiale Radial clearance tolerance [μm]	Capacità di Carico Load capacity rating [N]	
								C	C ₀
KBS 05 22	14.5	0 \div -0.2	1.1	1	11.5	12	-5	210	270
KBS 08 25	16.5	0 \div -0.2	1.1	1	15.2	12	-5	270	410
KBS 10 29	22	0 \div -0.2	1.3	1	18	12	-5	370	550
KBS 12 32	22.9	0 \div -0.2	1.3	1.5	21	12	-7	520	790
KBS 16 36	24.9	0 \div -0.2	1.3	1.5	24.9	12	-7	590	910
KBS 20 45	31.5	0 \div -0.2	1.6	2	30.3	15	-9	880	1400
KBS 25 58	44.1	0 \div -0.3	1.85	2	37.5	15	-9	1000	1600
KBS 30 68	52.1	0 \div -0.3	1.85	2	44.5	15	-9	1600	2800
KBS 40 80	60.6	0 \div -0.3	2.15	3	59	17	-13	2200	4000
KBS 50 100	77.6	0 \div -0.3	2.65	3	72	17	-13	3900	8100
KBS 60 125	101.7	0 \div -0.4	3.15	3	86.5	20	-16	4800	10200

Sigla d'ordine/Specification number:
Sigla d'ordine/Specification number:

KBS - d - PP
KBS - d

[tenute in entrambi i lati / seals on both sides].
[senza tenute / without seals].

Esempio: KBS 20 PP (modello KBS, diametro albero 20 mm, tenute in entrambi i lati).
Example: KBS 20 PP (KBS model, shaft diameter 20 mm, seals on both sides).

KBOGabbia in poliammide - *Polyamide cage*

Tipologia Type	N° ricicoli Number of ball rows	Peso Weight [N]	d [mm]	d Tolleranza Tolerance [μm]	D [mm]	D Tolleranza Tolerance [μm]	L [mm]	L Tolleranza Tolerance [mm]
KBO 10 29	3	0.23	10	0 ÷ +8	19	0 ÷ -9	29	0 ÷ -0.2
KBO 12 32	3	0.32	12	0 ÷ +8	22	0 ÷ -9	32	0 ÷ -0.2
KBO 16 36	5	0.57	16	+9 ÷ -1	26	0 ÷ -9	36	0 ÷ -0.2
KBO 20 45	5	0.91	20	+9 ÷ -1	32	0 ÷ -11	45	0 ÷ -0.2
KBO 25 58	5	2.15	25	+11 ÷ -1	40	0 ÷ -11	58	0 ÷ -0.3
KBO 30 68	5	3.25	30	+11 ÷ -1	47	0 ÷ -11	68	0 ÷ -0.3
KBO 40 80	5	7.05	40	+13 ÷ -2	62	0 ÷ -13	80	0 ÷ -0.3
KBO 50 100	6	11.3	50	+13 ÷ -2	75	0 ÷ -13	100	0 ÷ -0.3
KBO 60 125	6	22.2	60	+13 ÷ -2	90	0 ÷ -15	125	0 ÷ -0.4

Tipologia Type	L ₁ [mm]	L ₁ Tolleranza Tolerance [μm]	W [mm]	b [mm]	α	D ₁ [mm]	Eccentricità max Max eccentricity [μm]	Tolleranza gioco radiale Radial clearance tolerance [μm]	Capacità di Carico Load capacity rating [N]	
									C	C ₀
KBO 10 29	22	0 ÷ -0.2	1.3	6.8	80°	18	12	-	380	560
KBO 12 32	22.9	0 ÷ -0.2	1.3	7.5	78°	21	12	-	520	790
KBO 16 36	24.9	0 ÷ -0.2	1.3	10	78°	24.9	12	-7	590	910
KBO 20 45	31.5	0 ÷ -0.2	1.6	10	60°	30.3	15	-9	880	1400
KBO 25 58	44.1	0 ÷ -0.3	1.85	12.5	60°	37.5	15	-9	1000	1600
KBO 30 68	52.1	0 ÷ -0.3	1.85	12.5	50°	44.5	15	-9	1600	2800
KBO 40 80	60.6	0 ÷ -0.3	2.15	16.8	50°	59	17	-13	2200	4000
KBO 50 100	77.6	0 ÷ -0.3	2.65	21	50°	72	17	-13	3900	8100
KBO 60 125	101.7	0 ÷ -0.4	3.15	27.2	54°	86.5	20	-16	4800	10200

Sigla d'ordine/Specification number:

KBO - d - PP

[tenute in entrambi i lati / seals on both sides].

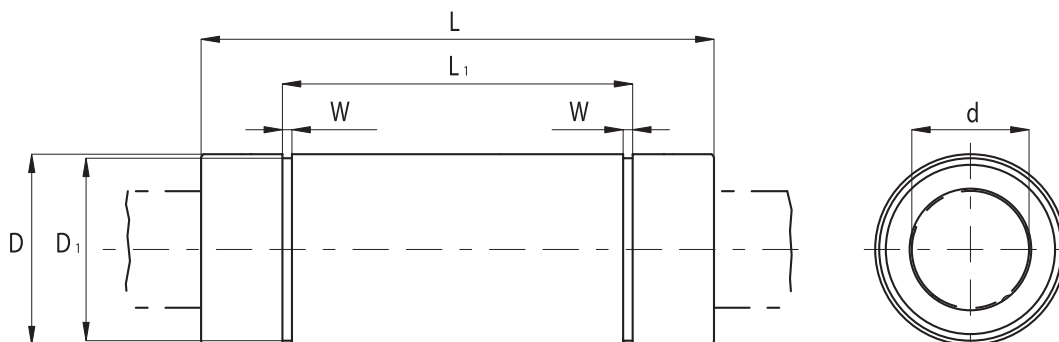
Sigla d'ordine/Specification number:

KBO - d

[senza tenute / without seals].

Esempio: KBO 20 PP (modello KBO, diametro albero 20 mm, tenute in entrambi i lati).

Example: KBO 20 PP (KBO model, shaft diameter 20 mm, seals on both sides).

KBL**Gabbia in poliammide - Polyamide cage**

Tipologia Type	N° ricircoli Number of ball rows	Peso Weight [N]	d [mm]	d Tolleranza Tolerance [μm]	D [mm]	D Tolleranza Tolerance [μm]	L [mm]	L Tolleranza Tolerance [mm]
KBL 08 45	4	0.31	8	+9 ÷ -1	16	0 ÷ -9	45	0 ÷ -0.3
KBL 12 57	4	0.8	12	+9 ÷ -1	22	0 ÷ -11	57	0 ÷ -0.3
KBL 16 70	5	1.45	16	+11 ÷ -1	26	0 ÷ -11	70	0 ÷ -0.3
KBL 20 80	5	1.8	20	+11 ÷ -1	32	0 ÷ -13	80	0 ÷ -0.3
KBL 25 112	6	4.4	25	+13 ÷ -2	40	0 ÷ -13	112	0 ÷ -0.4
KBL 30 123	6	5.8	30	+13 ÷ -2	47	0 ÷ -13	123	0 ÷ -0.4
KBL 40 154	6	11.7	40	+16 ÷ -4	62	0 ÷ -15	154	0 ÷ -0.4
KBL 50 192	6	30.1	50	+16 ÷ -4	75	0 ÷ -15	192	0 ÷ -0.4
KBL 60 211	6	35	60	+16 ÷ -4	90	0 ÷ -20	209	0 ÷ -0.4

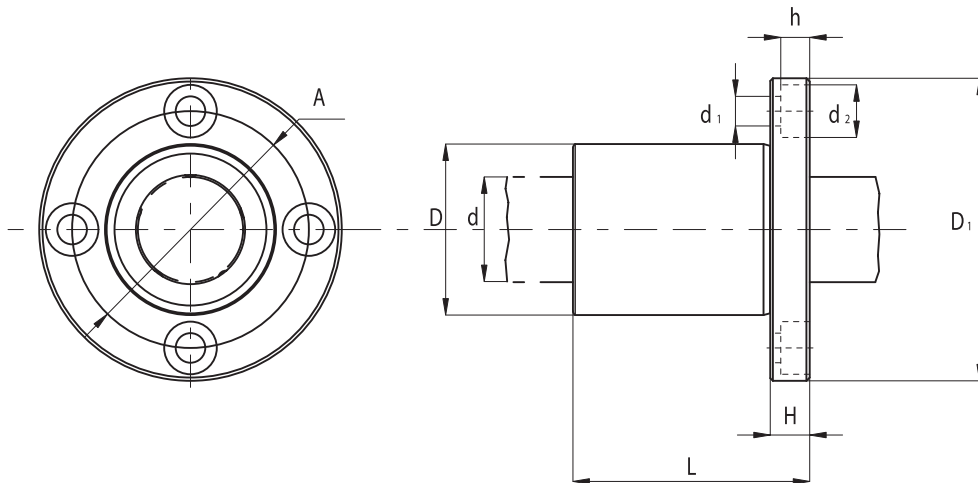
Tipologia Type	L ₁ [mm]	L ₁ Tolleranza Tolerance [mm]	W [mm]	D ₁ [mm]	Eccentricità max Max eccentricity [μm]	Tolleranza gioco radiale Radial clearance tolerance [μm]	Capacità di Carico Load capacity rating [N]	
							C	C ₀
KBL 08 45	33	0 ÷ -0.3	1.1	15.2	15	-15	431	784
KBL 12 57	45.8	0 ÷ -0.3	1.3	21	15	-15	657	1200
KBL 16 70	49.8	0 ÷ -0.3	1.3	24.9	15	-15	1230	2350
KBL 20 80	61	0 ÷ -0.3	1.6	30.5	15	-15	1400	2750
KBL 25 112	82	0 ÷ -0.4	1.85	38	17	-17	1560	3140
KBL 30 123	104.2	0 ÷ -0.4	1.85	44.5	17	-17	2490	5490
KBL 40 154	121.2	0 ÷ -0.4	2.15	59	20	-20	3430	8040
KBL 50 192	155.2	0 ÷ -0.4	2.65	72	20	-20	6080	15900
KBL 60 211	170	0 ÷ -0.4	3.15	86.5	25	-25	7650	20000

Sigla d'ordine/Specification number:
Sigla d'ordine/Specification number:

KBL - d - PP
KBL - d

[tenute in entrambi i lati / seals on both sides].
[senza tenute / without seals].

Esempio: KBL 20 PP (modello KBL, diametro albero 20 mm, tenute in entrambi i lati).
Example: KBL 20 PP (KBL model, shaft diameter 20 mm, seals on both sides).

KBF**Gabbia in poliammide - Polyamide cage**

Tipologia Type	N° riciccoli Number of ball rows	Peso Weight [N]	d [mm]	d Tolleranza Tolerance [μm]	D [mm]	D Tolleranza Tolerance [μm]	L [mm]	L Tolleranza Tolerance [mm]	D ₁ [mm]	D ₁ Tolleranza Tolerance [mm]
KBF 08	4	0.44	8	+8 ÷ 0	16	0 ÷ -8	25	0 ÷ -0.2	32	0 ÷ -0.2
KBF 12	4	0.86	12	+8 ÷ 0	22	0 ÷ -9	32	0 ÷ -0.2	42	0 ÷ -0.2
KBF 16	5	1.20	16	+9 ÷ -1	26	0 ÷ -9	36	0 ÷ -0.2	46	0 ÷ -0.2
KBF 20	5	1.84	20	+9 ÷ -1	32	0 ÷ -11	45	0 ÷ -0.2	54	0 ÷ -0.2
KBF 25	6	3.35	25	+11 ÷ -1	40	0 ÷ -11	58	0 ÷ -0.3	62	0 ÷ -0.2
KBF 30	6	5.45	30	+11 ÷ -1	47	0 ÷ -11	68	0 ÷ -0.3	76	0 ÷ -0.2
KBF 40	6	11.8	40	+13 ÷ -2	62	0 ÷ -13	80	0 ÷ -0.3	98	0 ÷ -0.3
KBF 50	6	17.3	50	+13 ÷ -2	75	0 ÷ -13	100	0 ÷ -0.3	112	0 ÷ -0.3
KBF 60	6	31.8	60	+13 ÷ -2	90	0 ÷ -15	125	0 ÷ -0.4	134	0 ÷ -0.3

Tipologia Type	H [mm]	A [mm]	d1xd2xh [mm]	Tolleranza perpendicolarità flangia Perpendicularity flange tolerance [μm]	Eccentricità max Max eccentricity [μm]	Tolleranza gioco radiale Radial clearance tolerance [μm]	Capacità di Carico Load capacity rating [N]	
							C	C ₀
KBF 08	5	24	3.4 x 6.5 x 3.3	12	12	-5	270	410
KBF 12	6	32	4.5 x 8 x 4.4	12	12	-5	520	790
KBF 16	6	36	4.5 x 8 x 4.4	12	12	-7	590	910
KBF 20	8	43	5.5 x 9.5 x 5.4	15	15	-9	880	1400
KBF 25	8	51	5.5 x 9.5 x 5.4	15	15	-9	1000	1600
KBF 30	10	62	6.6 x 11 x 6.5	15	15	-9	1600	2800
KBF 40	13	80	9 x 14 x 8.6	20	20	-13	2200	4100
KBF 50	13	94	9 x 14 x 8.6	20	20	-13	3900	8100
KBF 60	18	112	11 x 17.5 x 10.8	25	25	-13	4800	10200

Sigla d'ordine/Specification number:

KBF - d - PP

[tenute in entrambi i lati / seals on both sides].

Sigla d'ordine/Specification number:

KBF - d

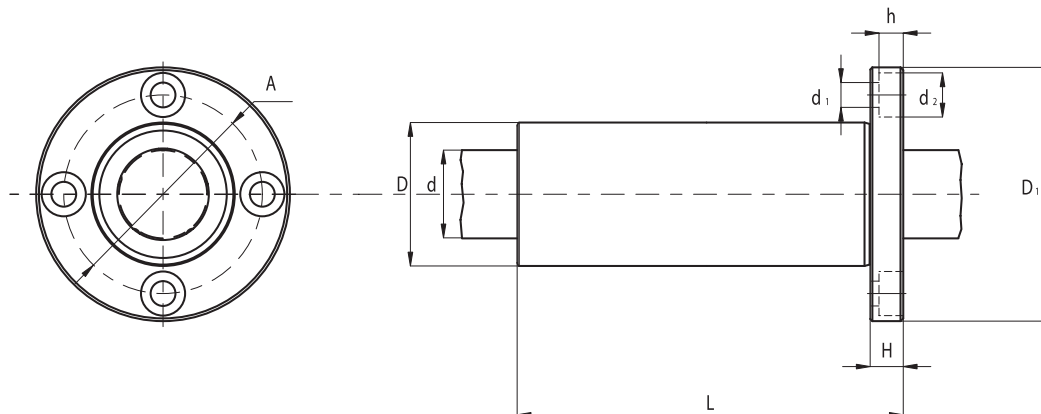
[senza tenute / without seals].

Esempio: KBF 20 PP (modello KBF, diametro albero 20 mm, tenute in entrambi i lati).

Example: KBF 20 PP (KBF model, shaft diameter 20 mm, seals on both sides).

KBFL

Gabbia in poliammide - Polyamide cage



Tipologia Type	N° ricircoli Number of ball rows	Peso Weight [N]	d [mm]	d Tolleranza Tolerance [μm]	D [mm]	D Tolleranza Tolerance [μm]	L [mm]	L Tolleranza Tolerance [mm]	D ₁ [mm]	D ₁ Tolleranza Tolerance [mm]
KBFL 08	4	0.53	8	+9 ÷ -1	16	0 ÷ -9	45	0 ÷ -0.3	32	0 ÷ -0.2
KBFL 12	4	1.0	12	+9 ÷ -1	22	0 ÷ -11	57	0 ÷ -0.3	42	0 ÷ -0.2
KBFL 16	5	1.87	16	+11 ÷ -1	26	0 ÷ -11	70	0 ÷ -0.3	46	0 ÷ -0.2
KBFL 20	5	2.6	20	+11 ÷ -1	32	0 ÷ -13	80	0 ÷ -0.3	54	0 ÷ -0.2
KBFL 25	6	5.5	25	+13 ÷ -2	40	0 ÷ -13	112	0 ÷ -0.4	62	0 ÷ -0.2
KBFL 30	6	6.5	30	+13 ÷ -2	47	0 ÷ -13	123	0 ÷ -0.4	76	0 ÷ -0.2
KBFL 40	6	15.6	40	+16 ÷ -4	62	0 ÷ -15	151	0 ÷ -0.4	98	0 ÷ -0.3
KBFL 50	6	35	50	+16 ÷ -4	75	0 ÷ -15	192	0 ÷ -0.4	112	0 ÷ -0.3
KBFL 60	6	45	60	+16 ÷ -4	90	0 ÷ -20	209	0 ÷ -0.4	134	0 ÷ -0.3

Tipologia Type	H [mm]	A [mm]	d1xd2xh [mm]	Tolleranza perpendicolarità flangia Perpendicularity flange tolerance [μm]	Eccentricità max Max eccentricity [μm]	Tolleranza gioco radiale Radial clearance tolerance [μm]	Capacità di Carico Load capacity rating [N]	
							C	C ₀
KBFL 08	5	24	3.4 x 6.5 x 3.3	12	12	-5	431	784
KBFL 12	6	32	4.5 x 8 x 4.4	12	12	-5	657	1200
KBFL 16	6	36	4.5 x 8 x 4.4	12	12	-7	1230	2350
KBFL 20	8	43	5.5 x 9.5 x 5.4	15	15	-9	1400	2750
KBFL 25	8	51	5.5 x 9.5 x 5.4	15	15	-9	1560	3140
KBFL 30	10	62	6.6 x 11 x 6.5	15	15	-9	2490	5490
KBFL 40	13	80	9 x 14 x 8.6	20	20	-13	3430	8040
KBFL 50	13	94	9 x 14 x 8.6	20	20	-13	6080	15900
KBFL 60	18	112	11 x 17.5 x 10.8	25	25	-13	7650	20000

Sigla d'ordine/Specification number:

KBFL - d - PP

[tenute in entrambi i lati / seals on both sides].

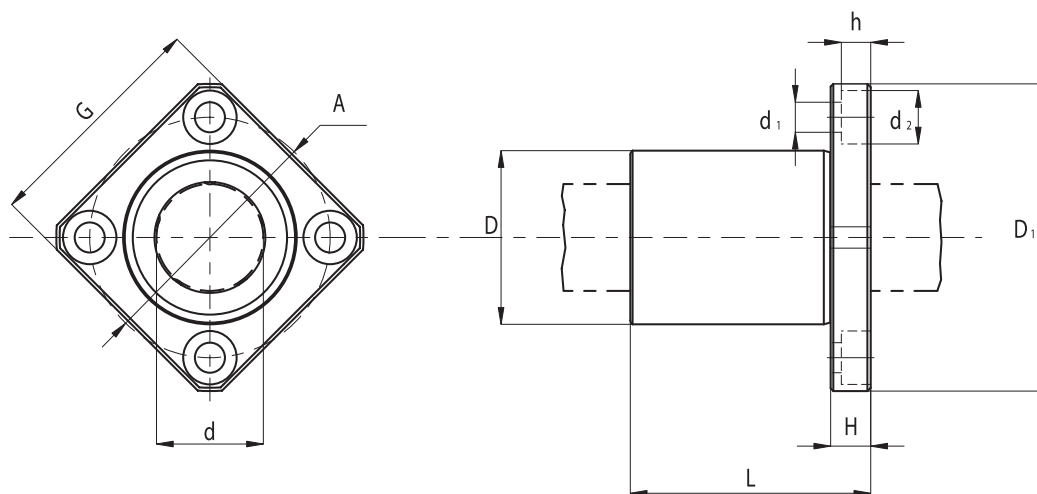
Sigla d'ordine/Specification number:

KBFL - d

[senza tenute / without seals].

Esempio: KBFL 20 PP (modello KBFL, diametro albero 20 mm, tenute in entrambi i lati).

Example: KBFL 20 PP (KBFL model, shaft diameter 20 mm, seals on both sides).

KBK**Gabbia in poliammide - Polyamide cage**

Tipologia Type	N° riciroli Number of ball rows	Peso Weight [N]	d [mm]	d Tolleranza Tolerance [μm]	D [mm]	D Tolleranza Tolerance [μm]	L [mm]	L Tolleranza Tolerance [mm]	D ₁ [mm]	D ₁ Tolleranza Tolerance [mm]
KBK 08	4	0.33	8	+8 ÷ 0	16	0 ÷ -8	25	0 ÷ -0.2	32	0 ÷ -0.2
KBK 12	4	0.66	12	+8 ÷ 0	22	0 ÷ -9	32	0 ÷ -0.2	42	0 ÷ -0.2
KBK 16	5	0.90	16	+9 ÷ -1	26	0 ÷ -9	36	0 ÷ -0.2	46	0 ÷ -0.2
KBK 20	5	1.49	20	+9 ÷ -1	32	0 ÷ -11	45	0 ÷ -0.2	54	0 ÷ -0.2
KBK 25	6	2.95	25	+11 ÷ -1	40	0 ÷ -11	58	0 ÷ -0.3	62	0 ÷ -0.2
KBK 30	6	4.6	30	+11 ÷ -1	47	0 ÷ -11	68	0 ÷ -0.3	76	0 ÷ -0.2
KBK 40	6	9.95	40	+13 ÷ -2	62	0 ÷ -13	80	0 ÷ -0.3	98	0 ÷ -0.3
KBK 50	6	15.5	50	+13 ÷ -2	75	0 ÷ -13	100	0 ÷ -0.3	112	0 ÷ -0.3
KBK 60	6	27.4	60	+13 ÷ -2	90	0 ÷ -15	125	0 ÷ -0.4	134	0 ÷ -0.3

Tipologia Type	G [mm]	H [mm]	A [mm]	d1xd2xh [mm]	Tolleranza perpendicolarità flangia Perpendicularity flange tolerance [μm]	Eccentricità max Max eccentricity [μm]	Tolleranza gioco radiale Radial clearance tolerance [μm]	Capacità di Carico Load capacity rating [N]	
								C	C ₀
KBK 08	25	5	24	3.4 x 6.5 x 3.3	12	12	-5	270	410
KBK 12	32	6	32	4.5 x 8 x 4.4	12	12	-5	520	790
KBK 16	35	6	36	4.5 x 8 x 4.4	12	12	-7	590	910
KBK 20	42	8	43	5.5 x 9.5 x 5.4	15	15	-9	880	1400
KBK 25	50	8	51	5.5 x 9.5 x 5.4	15	15	-9	1000	1600
KBK 30	60	10	62	6.6 x 11 x 6.5	15	15	-9	1600	2800
KBK 40	75	13	80	9 x 14 x 8.6	20	20	-13	2200	4100
KBK 50	88	13	94	9 x 14 x 8.6	20	20	-13	3900	8100
KBK 60	106	18	112	11 x 17.5 x 10.8	25	25	-13	4800	10200

Sigla d'ordine/Specification number:

KBK - d - PP

[tenute in entrambi i lati / seals on both sides].

Sigla d'ordine/Specification number:

KBK - d

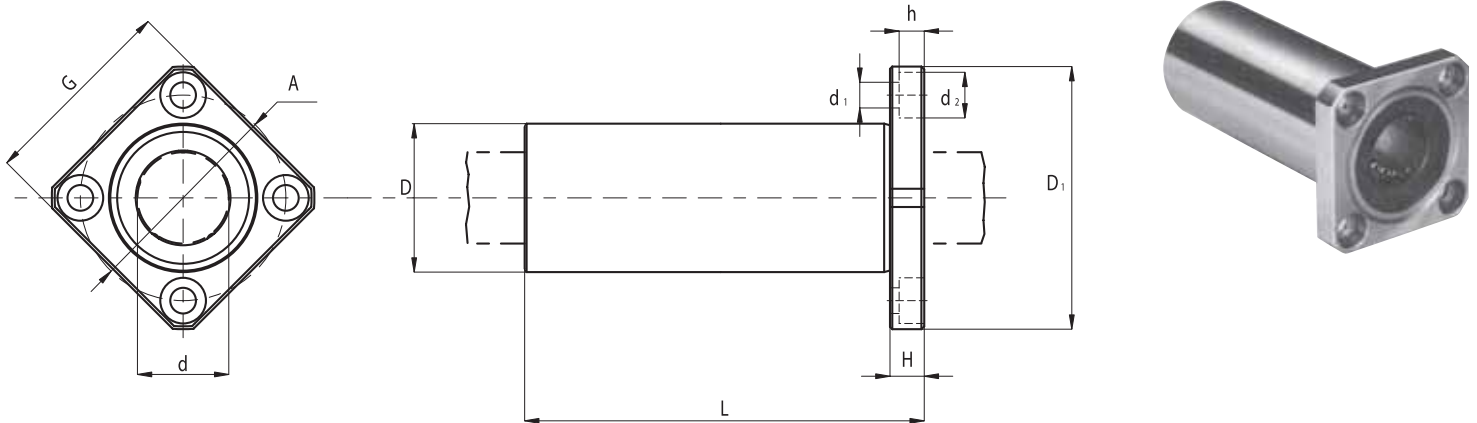
[senza tenute / without seals].

Esempio: KBK 20 PP (modello KBK, diametro albero 20 mm, tenute in entrambi i lati).

Example: KBK 20 PP (KBK model, shaft diameter 20 mm, seals on both sides).

KBKL

Gabbia in poliammide - Polyamide cage



Tipologia Type	N° ricircoli Number of ball rows	Peso Weight [N]	d [mm]	d Tolleranza Tolerance [μm]	D [mm]	D Tolleranza Tolerance [μm]	L [mm]	L Tolleranza Tolerance [mm]	D ₁ [mm]	D ₁ Tolleranza Tolerance [mm]
KBKL 08	4	0.46	8	+9 ÷ -1	16	0 ÷ -9	45	0 ÷ -0.3	32	0 ÷ -0.2
KBKL 12	4	0.82	12	+9 ÷ -1	22	0 ÷ -11	57	0 ÷ -0.3	42	0 ÷ -0.2
KBKL 16	5	1.6	16	+9 ÷ -11	26	0 ÷ -11	70	0 ÷ -0.3	46	0 ÷ -0.2
KBKL 20	5	2.3	20	+9 ÷ -11	32	0 ÷ -13	80	0 ÷ -0.3	54	0 ÷ -0.2
KBKL 25	6	4.75	25	+13 ÷ -2	40	0 ÷ -13	112	0 ÷ -0.4	62	0 ÷ -0.2
KBKL 30	6	5.75	30	+13 ÷ -2	47	0 ÷ -13	123	0 ÷ -0.4	76	0 ÷ -0.2
KBKL 40	6	13.8	40	+16 ÷ -4	62	0 ÷ -15	151	0 ÷ -0.4	98	0 ÷ -0.3
KBKL 50	6	33	50	+16 ÷ -4	75	0 ÷ -15	192	0 ÷ -0.4	112	0 ÷ -0.3
KBKL 60	6	40.6	60	+16 ÷ -4	90	0 ÷ -20	211	0 ÷ -0.4	134	0 ÷ -0.3

Tipologia Type	G [mm]	H [mm]	A [mm]	d1xd2xh [mm]	Tolleranza perpendicolarità flangia Perpendicularity flange tolerance [μm]	Eccentricità max Max eccentricity [μm]	Tolleranza gioco radiale Radial clearance tolerance [μm]	Capacità di Carico Load capacity rating [N]	
								C	C ₀
KBKL 08	25	5	24	3.4 x 6.5 x 3.3	12	12	-5	431	784
KBKL 12	32	6	32	4.5 x 8 x 4.4	12	12	-5	657	1200
KBKL 16	35	6	36	4.5 x 8 x 4.4	12	12	-7	1230	2350
KBKL 20	42	8	43	5.5 x 9.5 x 5.4	15	15	-7	1400	2750
KBKL 25	50	8	51	5.5 x 9.5 x 5.4	15	15	-9	1560	3140
KBKL 30	60	10	62	6.6 x 11 x 6.5	15	15	-9	2490	5490
KBKL 40	75	13	80	9 x 14 x 8.6	20	20	-13	3430	8040
KBKL 50	88	13	94	9 x 14 x 8.6	20	20	-13	6080	15900
KBKL 60	106	18	112	11 x 17.5 x 10.8	25	25	-13	7650	20000

Sigla d'ordine/Specification number:

KBKL - d - PP

[tenute in entrambi i lati / seals on both sides].

Sigla d'ordine/Specification number:

KBKL - d

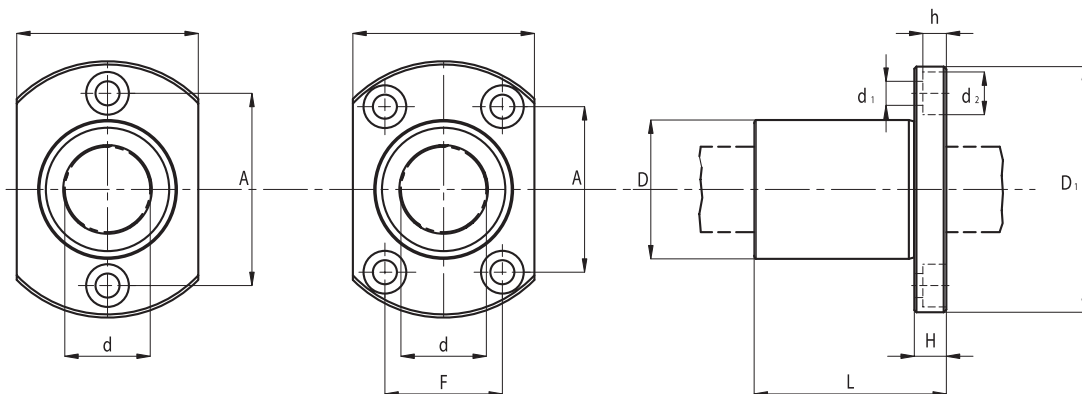
[senza tenute / without seals].

Esempio: KBKL 20 PP (modello KBKL, diametro albero 20 mm, tenute in entrambi i lati).

Example: KBKL 20 PP (KBKL model, shaft diameter 20 mm, seals on both sides).

KBH

Gabbia in poliammide - Polyamide cage



Tipologia Type	N° ricircoli Number of ball rows	Peso Weight [N]	d [mm]	d Tolleranza Tolerance [μm]	D [mm]	D Tolleranza Tolerance [μm]	L [mm]	L Tolleranza Tolerance [mm]	D ₁ [mm]	D ₁ Tolleranza Tolerance [mm]
KBH 06	4	0.21	6	0 ÷ -9	12	0 ÷ -11	19	0 ÷ -0.2	28	0 ÷ -0.2
KBH 08	4	0.33	8	0 ÷ -9	15	0 ÷ -11	24	0 ÷ -0.2	32	0 ÷ -0.2
KBH 10	4	0.64	10	0 ÷ -9	19	0 ÷ -13	29	0 ÷ -0.2	40	0 ÷ -0.2
KBH 12	4	0.68	12	0 ÷ -9	21	0 ÷ -13	30	0 ÷ -0.2	42	0 ÷ -0.2
KBH 13	4	0.81	13	0 ÷ -9	23	0 ÷ -13	32	0 ÷ -0.2	43	0 ÷ -0.2
KBH 16	5	1.12	16	0 ÷ -9	28	0 ÷ -13	37	0 ÷ -0.2	48	0 ÷ -0.2
KBH 20	5	1.67	20	0 ÷ -10	32	0 ÷ -16	42	0 ÷ -0.2	54	0 ÷ -0.2
KBH 25	6	3.25	25	0 ÷ -10	40	0 ÷ -16	59	0 ÷ -0.3	62	0 ÷ -0.2
KBH 30	6	3.88	30	0 ÷ -10	45	0 ÷ -16	64	0 ÷ -0.3	74	0 ÷ -0.2

Tipologia Type	W [mm]	H [mm]	A [mm]	F [mm]	d1xd2xh [mm]	Tolleranza perpendicolarità flangia Perpendicularity flange tolerance [μm]	Eccentricità max Max eccentricity [μm]	Tolleranza gioco radiale Radial clearance tolerance [μm]	Capacità di Carico Load capacity rating [N]	
									C	C ₀
KBH 06	18	5	20	-	3.4 x 6.5 x 3.3	12	12	-5	210	270
KBH 08	21	5	24	-	3.4 x 6.5 x 3.3	12	12	-5	270	410
KBH 10	25	6	29	-	4.5 x 8 x 4.4	12	12	-5	380	560
KBH 12	27	6	32	-	4.5 x 8 x 4.4	12	12	-5	420	610
KBH 13	29	6	33	-	4.5 x 8 x 4.4	12	12	-7	520	790
KBH 16	34	6	31	22	4.5 x 8 x 4.4	12	12	-7	790	1200
KBH 20	38	8	36	24	5.5 x 9.5 x 5.4	15	15	-9	880	1400
KBH 25	46	8	40	32	5.5 x 9.5 x 5.4	15	15	-9	1000	1600
KBH 30	51	10	49	35	6.6 x 11 x 6.5	15	15	-9	1600	2800

Sigla d'ordine/Specification number:
Sigla d'ordine/Specification number:

KBH - d - PP
KBH - d

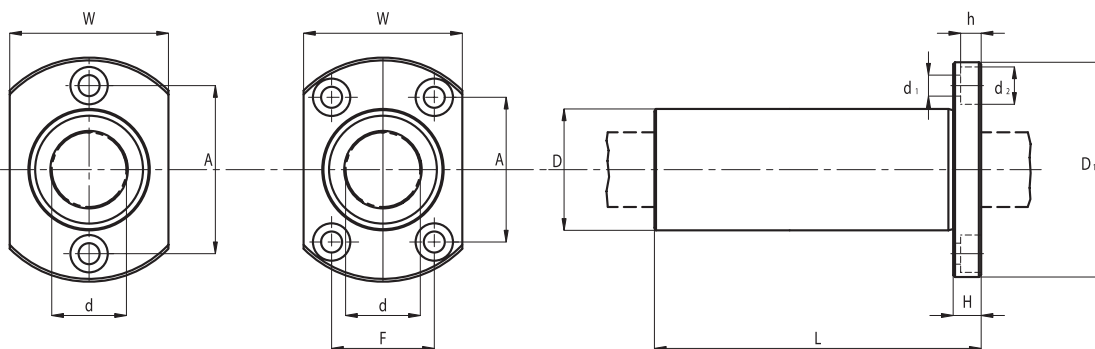
[tenute in entrambi i lati / seals on both sides].
[senza tenute / without seals].

Esempio: KBH 20 PP (modello KBH, diametro albero 20 mm, tenute in entrambi i lati).

Example: KBH 20 PP (KBH model, shaft diameter 20 mm, seals on both sides).

KBHL

Gabbia in poliammide - Polyamide cage



Tipologia Type	N° ricircoli Number of ball rows	Peso Weight [N]	d [mm]	d Tolleranza Tolerance [μm]	D [mm]	D Tolleranza Tolerance [μm]	L [mm]	L Tolleranza Tolerance [mm]	D ₁ [mm]	D ₁ Tolleranza Tolerance [mm]
KBHL 06	4	0.27	6	0 \pm -10	12	0 \pm -13	35	0 \pm -0.3	28	0 \pm -0.2
KBHL 08	4	0.46	8	0 \pm -10	15	0 \pm -13	45	0 \pm -0.3	32	0 \pm -0.2
KBHL 10	4	0.91	10	0 \pm -10	19	0 \pm -16	55	0 \pm -0.3	40	0 \pm -0.2
KBHL 12	4	0.92	12	0 \pm -10	21	0 \pm -16	57	0 \pm -0.3	42	0 \pm -0.2
KBHL 13	4	1.17	13	0 \pm -10	23	0 \pm -16	61	0 \pm -0.3	43	0 \pm -0.2
KBHL 16	5	1.65	16	0 \pm -10	28	0 \pm -16	70	0 \pm -0.3	48	0 \pm -0.2
KBHL 20	5	2.47	20	0 \pm -12	32	0 \pm -19	80	0 \pm -0.3	54	0 \pm -0.2
KBHL 25	6	5.0	25	0 \pm -12	40	0 \pm -19	112	0 \pm -0.4	62	0 \pm -0.2
KBHL 30	6	5.8	30	0 \pm -12	45	0 \pm -19	123	0 \pm -0.4	74	0 \pm -0.2

Tipologia Type	W [mm]	H [mm]	A [mm]	F [mm]	d1xd2xh [mm]	Tolleranza perpendicolarità flangia Perpendicularity flange tolerance [μm]	Eccentricità max Max eccentricity [μm]	Tolleranza gioco radiale Radial clearance tolerance [μm]	Capacità di Carico Load capacity rating [N]	
									C	C ₀
KBHL 06	18	5	20	-	3.4 x 6.5 x 3.3	15	15	-5	330	540
KBHL 08	21	5	24	-	3.4 x 6.5 x 3.3	15	15	-5	440	800
KBHL 10	25	6	29	-	4.5 x 8 x 4.4	15	15	-5	600	1120
KBHL 12	27	6	32	-	4.5 x 8 x 4.4	15	15	-5	670	1220
KBHL 13	29	6	33	-	4.5 x 8 x 4.4	15	15	-7	830	1600
KBHL 16	34	6	31	22	4.5 x 8 x 4.4	15	15	-7	1250	2400
KBHL 20	38	8	36	24	5.5 x 9.5 x 5.4	20	20	-9	1430	2800
KBHL 25	46	8	40	32	5.5 x 9.5 x 5.4	20	20	-9	1590	3200
KBHL 30	51	10	49	35	6.6 x 11 x 6.5	20	20	-9	2540	5600

Sigla d'ordine/Specification number:

KBHL - d - PP

[tenute in entrambi i lati / seals on both sides].

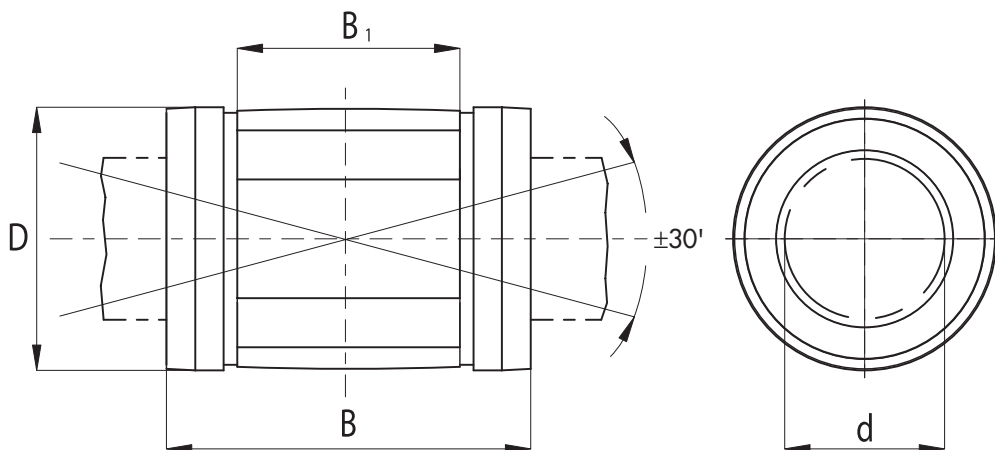
Sigla d'ordine/Specification number:

KBHL - d

[senza tenute / without seals].

Esempio: KBHL 20 PP (modello KBHL, diametro albero 20 mm, tenute in entrambi i lati).

Example: KBHL 20 PP (KBHL model, shaft diameter 20 mm, seals on both sides).

KN**Autoallineanti - Self-aligning**

Tipologia Type	N° ricircoli Number of ball rows	Peso Weight [N]	Dimensioni Dimensions				Gioco radiale Radial clearance			Capacità di Carico Load capacity rating [N]	
			d [mm]	D [mm]	B [mm]	B ₁ [mm]	h7/H7 [μm]	h7/JS7 [μm]	h6/JS6 [μm]	C	C ₀
KN 12 32	5	0.23	12	22	32	20	+32 +3	+28 -1	+22 0	650	520
KN 16 36	5	0.28	16	26	36	22	+32 +3	+28 -1	+22 0	800	630
KN 20 45	6	0.61	20	32	45	28	+37 +4	+30 -2	+24 0	1500	1250
KN 25 58	6	1.22	25	40	58	40	+37 +5	+31 -2	+24 0	2500	2200
KN 30 68	6	1.85	30	47	68	48	+39 +3	+33 -3	+27 0	3200	2800
KN 40 80	6	3.6	40	62	80	56	+42 +1	+34 -6	+27 -4	5500	4900
KN 50 100	6	5.8	50	75	100	72	+41 0	+26 -7	+26 -4	8600	7100

Sigla d'ordine/Specification number:

KN - d - PP

[tenute in entrambi i lati / seals on both sides].

Sigla d'ordine/Specification number:

KN - d

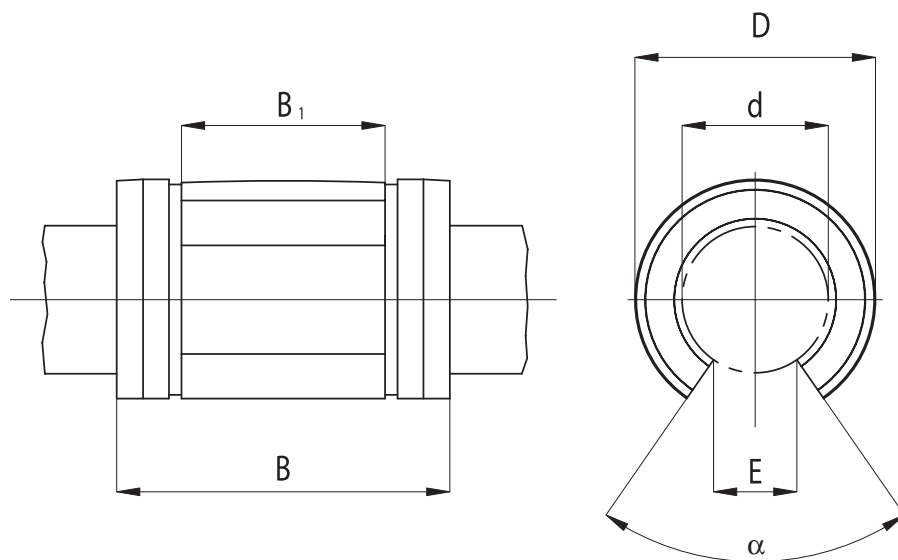
[senza tenute / without seals].

Esempio: KN 20 PP (modello KN, diametro albero 20 mm, tenute in entrambi i lati).

Example: KN 20 PP (KN model, shaft diameter 20 mm, seals on both sides).

KNO

Autoallineanti - Self-aligning



Tipologia Type	N° ricircoli Number of ball rows	Peso Weight [N]	Dimensioni Dimensions						Gioco radiale Radial clearance			Capacità di Carico Load capacity rating [N]	
			d [mm]	D [mm]	B [mm]	B ₁ [mm]	E [mm]	α	h7/H7 [μm]	h7/JS7 [μm]	h6/JS6 [μm]	C	C ₀
KNO 12 32	4	0.18	12	22	32	20	6.5	66°	+32 +3	+28 -1	+22 0	750	600
KNO 16 36	4	0.22	16	26	36	22	9	68°	+32 +3	+28 -1	+22 0	920	730
KNO 20 45	5	0.51	20	32	45	28	9	55°	+37 +4	+30 -2	+24 0	1560	1240
KNO 25 58	5	1.02	25	40	58	40	11.5	57°	+37 +5	+31 -2	+24 0	2600	2260
KNO 30 68	5	1.55	30	47	68	48	14	57°	+39 +3	+33 -3	+27 0	3330	2850
KNO 40 80	5	3.0	40	62	80	56	19.5	56°	+42 +1	+34 -6	+27 -4	5720	4900
KNO 50 100	5	4.8	50	75	100	72	22.5	54°	+41 0	+26 -7	+26 -4	8940	7200

Sigla d'ordine/Specification number:
 Sigla d'ordine/Specification number:

KNO - d - PP
 KNO - d

[tenute in entrambi i lati / seals on both sides].
 [senza tenute / without seals].

Esempio: KNO 20 PP (modello KNO, diametro albero 20 mm, tenute in entrambi i lati).
 Example: KNO 20 PP (KNO model, shaft diameter 20 mm, seals on both sides).

3. Supporti in lega di alluminio

3. Aluminium linear case units



I supporti NBS si suddividono in:

Serie normale:

- standard (SC)
- corti (SCV)
- lunghi (SCW)

Serie aperta:

- non flangiati (SBR)
- flangiati (TBR)

Tutti possono essere forniti con:

- anelli di tenuta in entrambi i lati (suffisso - UU)
- senza anelli di tenuta (nessun suffisso).

NBS linear case units can be divided into:

Normal series:

- standard (SC)
- short (SCV)
- long (SCW)

Open series:

- not flanged (SBR)
- flanged (TBR)

They can be supplied with:

- seals on both sides (suffix - UU)
- without seals (no suffix).

Forniture per l'industria gelmini s.r.l.

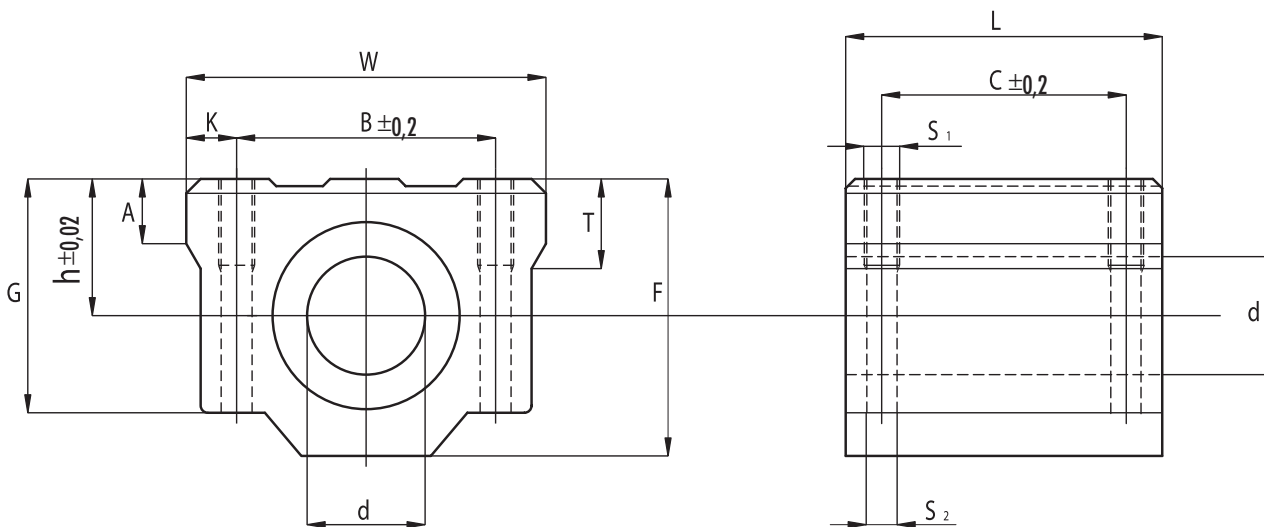
Parma - 0521.993844 Fax 0521.291688
Guidizzolo (MN) - 0376.847123 Fax 0376.840319

Cuscinetti per movimentazione lineare

Linear bearings

Supporti - Linear case units

SC



Tipologia Type	Peso Weight [N]	d [mm]	W [mm]	F [mm]	L [mm]	h [mm]	G [mm]	T [mm]	A [mm]	B [mm]	C [mm]	K [mm]	S ₁ [mm]	S ₂ [mm]	Capacità di Carico Load capacity rating [N]	
															C	C ₀
SC 08	0.56	8	34	22	30	11	18	6	5	24	18	5	M 4	3.4	280	400
SC 10	0.90	10	40	26	35	13	21	8	6	28	21	6	M 5	4.3	380	560
SC 12	1.12	12	44	29	36	15	25	8	5.5	30.5	26	5.75	M 5	4.3	420	610
SC 13	1.23	13	44	30	39	15	24.5	8	5.5	33	26	5.5	M 5	4.3	520	800
SC 16	1.89	16	50	38.5	44	19	32.5	9	7	36	34	7	M 5	4.3	790	1200
SC 20	2.37	20	54	42	50	21	35	11	7	40	40	7	M 6	5.2	900	1400
SC 25	5.55	25	76	51.5	67	26	42	12	11	54	50	11	M 8	6.8	1000	1600
SC 30	6.85	30	78	59.5	72	30	49	15	10	58	58	10	M 8	6.8	1600	2800
SC 35	11.0	35	90	68	80	34	54	18	10	70	60	10	M 8	6.8	1700	3200
SC 40	16.0	40	102	78	90	40	62	20	11	80	60	11	M10	8.6	2200	4100
SC 50	33.5	50	122	102	110	52	80	25	11	100	80	11	M10	8.6	3900	8100
SC 60	42.7	60	132	114	122	58	94	30	21	108	90	12	M12	10.7	4800	10200

Sigla d'ordine/Specification number:
 Sigla d'ordine/Specification number:

SC - d - UU

[tenute in entrambi i lati / seals on both sides].

SC - d

[senza tenute / without seals].

SC - d - UU AS

[tenute in entrambi i lati e foro di lubrificazione/
 seals on both sides and oil hole].

SC - d - AS

[senza tenute, con foro di lubrificazione/
 without seals, with oil hole].

Esempio: SC 20 UU AS (modello SC, diametro albero 20 mm, tenute in entrambi i lati, foro di lubrificazione).

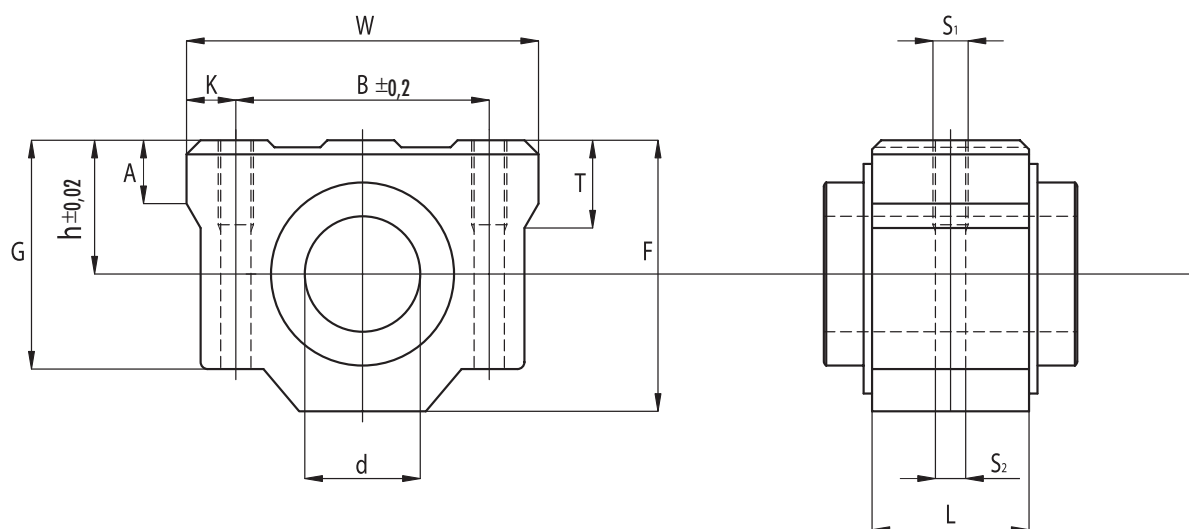
Example: SC 20 UU AS (SC model, shaft diameter 20 mm, seals on both sides, with oil hole).

Cuscinetti per movimentazione lineare

Linear bearings

SCV

Supporti - Linear case units



Tipologia Type	Peso Weight [N]	d [mm]	W [mm]	F [mm]	L [mm]	h [mm]	G [mm]	T [mm]	B [mm]	A [mm]	K [mm]	S ₁ [mm]	S ₂ [mm]	Capacità di Carico Load capacity rating [N]	
														C	C ₀
SCV 08	0.63	8	34	22	15.4	11	18	6	24	5	5	M 4	3.4	280	400
SCV 10	0.92	10	40	26	19.5	13	21	8	28	6	6	M 5	4.3	380	560
SCV 12	1.02	12	42	28	20.5	15	25	8	30.5	5.5	5.75	M 5	4.3	420	610
SCV 13	1.2	13	44	30	20.5	15	24.5	8	33	5.5	5.5	M 5	4.3	520	800
SCV 16	2.0	16	50	38.5	23.5	19	32.5	9	36	7	7	M 5	4.3	790	1200
SCV 20	2.55	20	54	42	27.4	21	35	11	40	7	7	M 6	5.2	900	1400
SCV 25	6.0	25	76	51.5	37.4	26	42	12	54	11	11	M 8	6.8	1000	1600
SCV 30	7.35	30	78	59.5	40.9	30	49	15	58	10	10	M 8	6.8	1600	2800
SCV 35	11.0	35	90	68	45.4	34	54	18	70	10	10	M 8	6.8	1700	3200
SCV 40	15.9	40	102	78	56.4	40	62	20	80	11	11	M 10	8.6	2200	4100
SCV 50	33.4	50	122	102	68.9	52	80	25	100	11	11	M 10	8.6	3900	8100

 Sigla d'ordine/Specification number:
 Sigla d'ordine/Specification number:

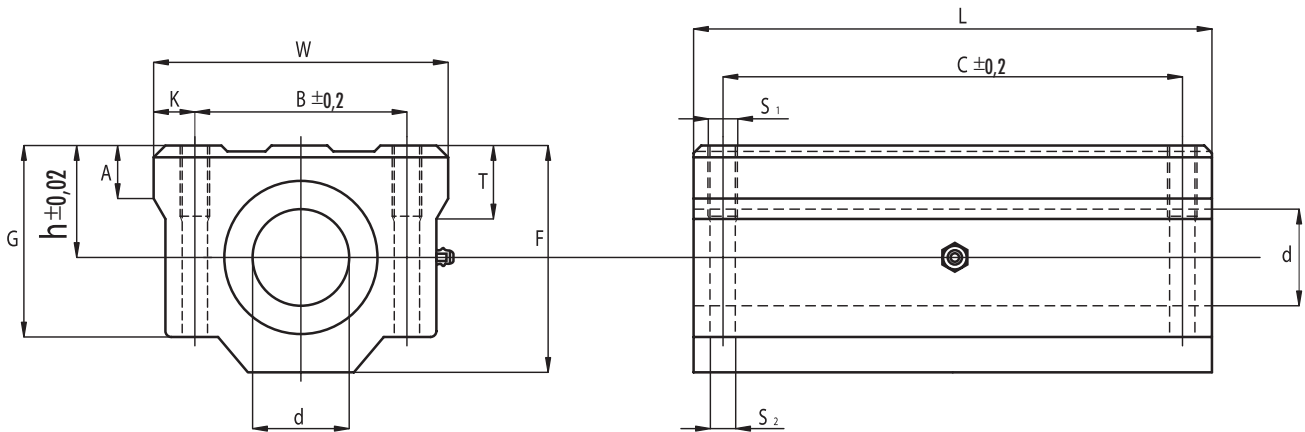
 SCV - d - UU
 SCV - d
 SCV - d - UU AS

 SCV - d - AS

 [tenute in entrambi i lati / seals on both sides].
 [senza tenute / without seals].
 [tenute in entrambi i lati e foro di lubrificazione/
 seals on both sides and oil hole].
 [senza tenute, con foro di lubrificazione/
 without seals, with oil hole].

 Esempio: SCV 20 UU AS (modello SC, diametro albero 20 mm, tenute in entrambi i lati, foro di lubrificazione).
 Example: SCV 20 UU AS (SC model, shaft diameter 20 mm, seals on both sides, with oil hole).

SCW



Tipologia Type	Peso Weight [N]	d [mm]	W [mm]	F [mm]	L [mm]	h [mm]	G [mm]	A [mm]	T [mm]	B [mm]	C [mm]	K [mm]	S ₁ [mm]	S ₂ [mm]	Capacità di Carico Load capacity rating [N]	
															C	C ₀
SCW 08	1.02	8	34	22	58	11	18	6	8	24	42	5	M 4	3.4	440	800
SCW 10	1.06	10	40	26	68	13	21	8	12	28	46	6	M 5	4.3	600	1120
SCW 12	2.05	12	42	28	70	15	25	8	12	30.5	50	5.75	M 5	4.3	670	1200
SCW 13	2.40	13	44	30	75	15	24.5	8	12	33	50	5.5	M 5	4.3	830	1600
SCW 16	4.0	16	50	38.5	85	19	32.5	9	12	36	60	7	M 5	4.3	1250	2400
SCW 20	5.7	20	54	42	96	21	35	11	12	40	70	7	M 6	5.2	1440	2800
SCW 25	12.0	25	76	51.5	130	26	42	12	18	54	100	11	M 8	6.8	1640	3200
SCW 30	14.8	30	78	59.5	140	30	49	15	18	58	110	10	M 8	6.8	2500	5600
SCW 35	22.0	35	90	68	155	34	54	18	18	70	120	10	M 8	6.8	2700	6400
SCW 40	32.0	40	102	78	175	40	62	20	25	80	140	11	M 10	8.6	3500	8200
SCW 50	67.0	50	122	102	215	52	80	25	25	100	160	11	M 10	8.6	6200	16200
SCW 60	85.6	60	132	114	240	58	94	30	25	108	180	12	M 12	10.7	7700	20400

Sigla d'ordine/ Specification number:
Sigla d'ordine/ Specification number:

SCW - d - UU
SCW - d
SCW - d - UU AS

SCW - d - AS

[tenute in entrambi i lati / seals on both sides].
[senza tenute / without seals].
[tenute in entrambi i lati e foro di lubrificazione/
seals on both sides and oil hole].
[senza tenute, con foro di lubrificazione/
without seals, with oil hole].

Esempio: SCW 20 UU AS (modello SC, diametro albero 20 mm, tenute in entrambi i lati, foro di lubrificazione).
Example: SCW 20 UU AS (SC model, shaft diameter 20 mm, seals on both sides, with oil hole).

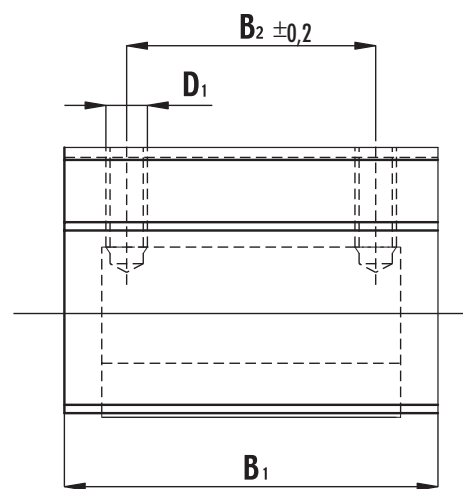
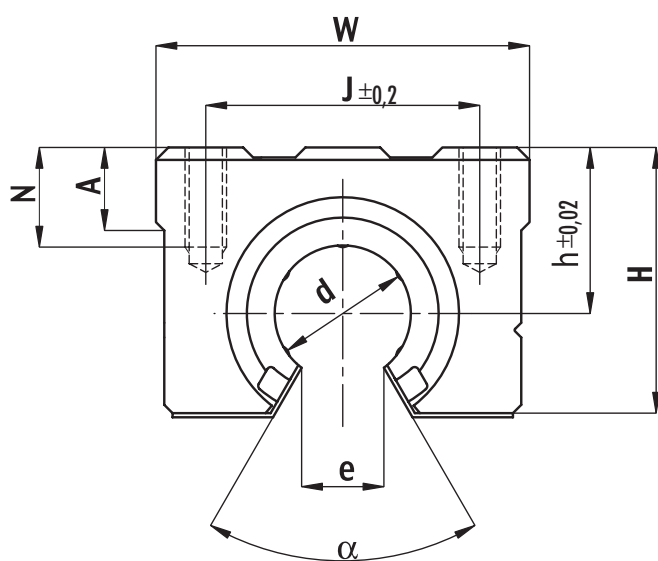
Note: Il supporto SCW viene fornito standard AS (con foro di lubrificazione).
Note: SCW support is supplied standard AS (with oil hole).

Cuscinetti per movimentazione lineare

Linear bearings

SBR

Supporti - Linear case units



Tipologia Type	Peso Weight [N]	d [mm]	A [mm]	B ₁ [mm]	B ₂ [mm]	D ₁ [mm]	e [mm]	α	h [mm]	H [mm]	J [mm]	N [mm]	W [mm]	Capacità di Carico Load capacity rating [N]	
														C	C ₀
SBR 16	1.5	16	9	45	30	M 5	10	80°	20	33	32	12	45	590	910
SBR 20	2.0	20	11	50	35	M 6	10	60°	23	39	35	12	48	880	1400
SBR 25	4.5	25	14	65	40	M 6	11.5	50°	27	47	40	12	60	1000	1600
SBR 30	6.3	30	15	70	50	M 8	14	50°	33	56	50	18	70	1600	2800
SBR 35	9.2	35	18	80	55	M 8	16	50°	37	63	55	18	80	1700	3200
SBR 40	13.3	40	20	90	65	M10	19	50°	42	72	65	20	90	2200	4100
SBR 50	30	50	25	110	80	M10	23	50°	53	91	94	20	120	3900	8100

Sigla d'ordine/Specification number:
Sigla d'ordine/Specification number:

SBR - d - UU

SBR - d

SBR - d - UU AS

SBR - d - AS

[tenute in entrambi i lati / seals on both sides].

[senza tenute / without seals].

[tenute in entrambi i lati e foro di lubrificazione/
seals on both sides and oil hole].

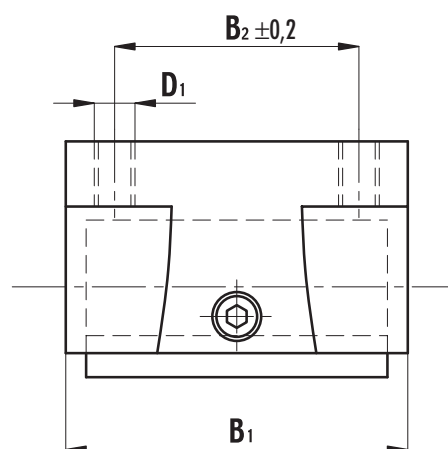
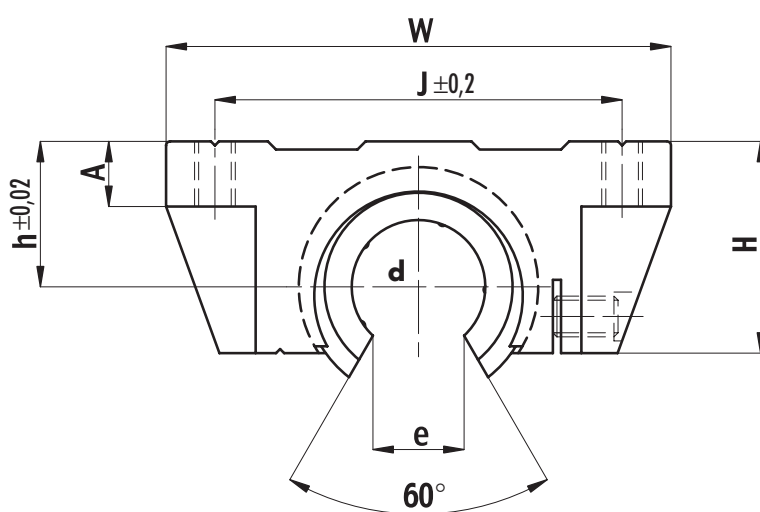
[senza tenute, con foro di lubrificazione/
without seals, with oil hole].

Esempio: SBR 20 UU AS (modello SC, diametro albero 20 mm, tenute in entrambi i lati, foro di lubrificazione).

Example: SBR 20 UU AS (SC model, shaft diameter 20 mm, seals on both sides, with oil hole).

TBR

Supporti - Linear case units



Tipologia Type	Peso Weight [N]	d [mm]	A [mm]	B ₁ [mm]	B ₂ [mm]	D ₁ [mm]	e [mm]	h [mm]	H [mm]	J [mm]	W [mm]	Capacità di Carico Load capacity rating [N]	
												C	C ₀
TBR 16	1.8	16	8	42	30	M 5	10	17.9	27	50	62	392	490
TBR 20	3.0	20	10	51	37	M 6	10	21	31.4	54	68	784	1176
TBR 25	6.0	25	12	65	50	M 8	11.5	28	41	65	82	1568	2352
TBR 30	9.0	30	12	75	60	M 8	14	33.5	48	75	91	1764	2940

Sigla d'ordine/ Specification number:

TBR - d - UU

[tenute in entrambi i lati / seals on both sides].

Sigla d'ordine/ Specification number:

TBR - d

[senza tenute / without seals].

TBR - d - UU AS

[tenute in entrambi i lati e foro di lubrificazione/
seals on both sides and oil hole].

TBR - d - AS

[senza tenute, con foro di lubrificazione/
without seals, with oil hole].

Esempio: TBR 20 UU AS (modello SC, diametro albero 20 mm, tenute in entrambi i lati, foro di lubrificazione).

Example: TBR 20 UU AS (SC model, shaft diameter 20 mm, seals on both sides, with oil hole).

Su richiesta è disponibile anche il modello TBR 40.

By request TBR 40 model is available too.

Cuscinetti per movimentazione lineare

Linear bearings

4. Sistemi completi

4. Integral systems



I sistemi completi NBS sono composti da:
supporto + albero + supporto albero.

Si suddividono in:

- serie non flangiata (SBR-S)
- serie flangiata (TBR-S)

*Integral NBS systems are composed by:
linear case unit + shaft + shaft support.*

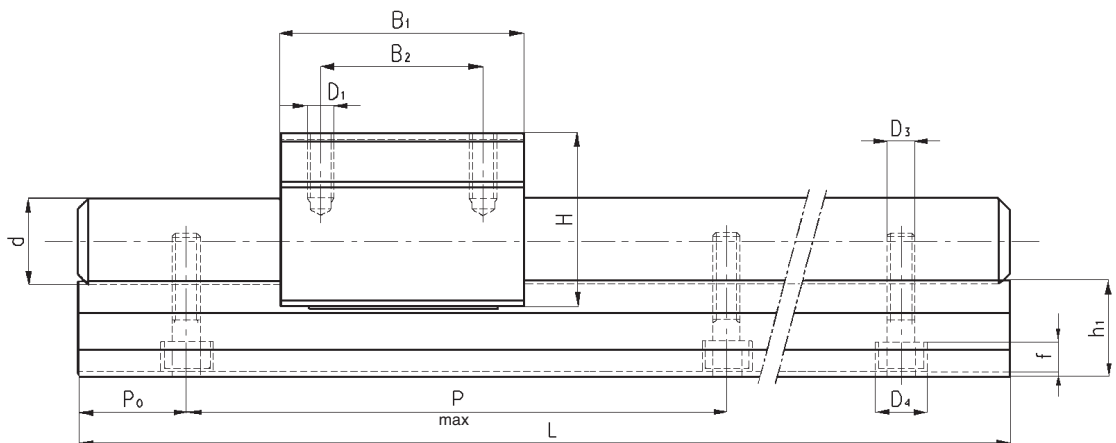
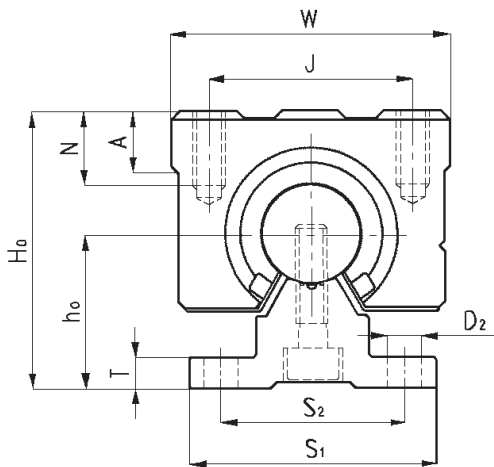
They are divided into:

- *not flanged series (SBR-S)*
- *flanged series (TBR-S)*

Forniture per l'industria gelmini s.r.l.

Parma - 0521.993844 Fax 0521.291688

Guidizzolo (MN) - 0376.847123 Fax 0376.840319

SBR-S

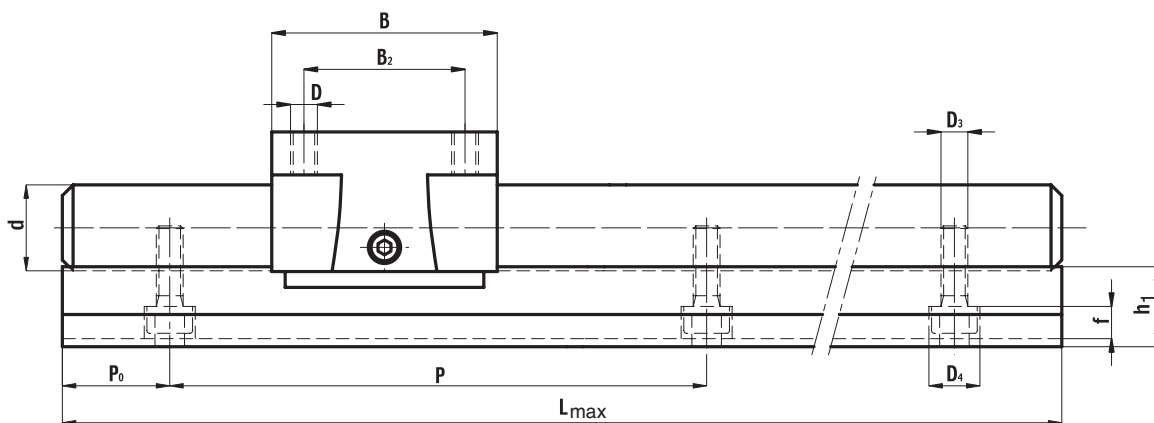
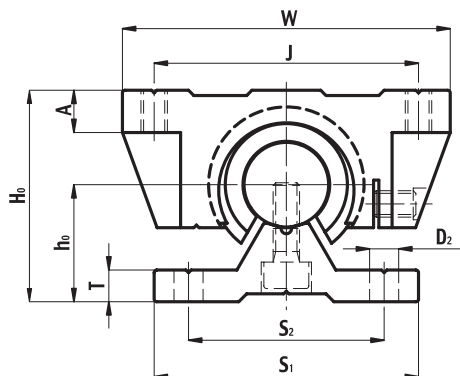
Tipologia Type	Supporto Case Unit	d [mm]	A [mm]	B ₁ [mm]	B ₂ [mm]	D ₁ [mm]	D ₂ [mm]	D ₃ [mm]	D ₄ [mm]	f [mm]	h ₀ [mm]	h ₁ [mm]	H [mm]	H ₀ [mm]	J [mm]	N [mm]	S ₁ [mm]	S ₂ [mm]	T [mm]	W [mm]	P [mm]	P ₀ [mm]	L _{max} [mm]
SBR 16S	SBR16UU	16	9	45	30	M 5	5.5	5.5	9.5	5.4	25	17.8	33	45	32	12	40	30	5	45	200	50	4000
SBR 20S	SBR20UU	20	11	50	35	M 6	5.5	5.5	9.5	5.4	27	17.7	39	50	35	12	45	30	5	48	200	50	4000
SBR 25S	SBR25UU	25	14	65	40	M 6	6.6	6.6	11	6.5	33	21	47	60	40	12	55	35	6	60	200	50	4000
SBR 30S	SBR30UU	30	15	70	50	M 8	6.6	6.6	11	6.5	37	22.8	56	70	50	18	60	40	7	70	200	50	4000
SBR 35S	SBR35UU	35	18	80	55	M 8	9	9	14	8.6	43	26.5	63	80	55	18	65	45	8	80	200	50	4000
SBR 40S	SBR40UU	40	20	90	65	M 10	9	9	14	8.6	48	29.4	72	90	65	20	75	55	9	90	200	50	3000
SBR 50S	SBR50UU	50	25	110	80	M 10	11	11	7.5	10.8	62	38.8	91	105	94	20	95	70	11	120	200	50	3000

Misure della lunghezza a richiesta.
Under request different lengths available.

Sigla d'ordine/Specification number: SBR - d - S - n° supporti - Lunghezza L.
 Sigla d'ordine/Specification number: SBR - d - S - n° linear case units - Length L.

Esempio: SBR 20 UU S 2 1000 (modello SBR-S, diametro albero 20 mm, 2 supporti SBR20UU, lunghezza L 1000 mm).
 Example: SBR 20 UU S 2 1000 (SBR-S model, shaft diameter 20 mm, 2 SBR20UU supports, length L 1000mm).

TBR-S



Tipologia Type	Supporto Case Unit	d [mm]	A [mm]	B ₁ [mm]	B ₂ [mm]	D ₁ [mm]	D ₂ [mm]	D ₃ [mm]	D ₄ [mm]	f [mm]	h ₀ [mm]	h ₁ [mm]	H [mm]	H ₀ [mm]	J [mm]	S ₁ [mm]	S ₂ [mm]	T [mm]	W [mm]	P [mm]	P ₀ [mm]	L _{max} [mm]
TBR 16S	TBR16UU	16	8	42	30	M 5	5.5	5.5	9.5	5.4	22.1	15	26	40	50	50	37	6	62	200	50	4000
TBR 20S	TBR20UU	20	10	51	37	M 6	5.5	5.5	9.5	5.4	29	19.4	31	50	54	55	40	8	68	200	50	4000
TBR 25S	TBR25UU	25	12	65	50	M 8	6.6	6.6	11	6.5	32	20.1	41	60	65	65	45	10	82	200	50	4000
TBR 30S	TBR30UU	30	12	75	60	M 8	6.6	6.6	11	6.5	36.5	22.5	48	70	75	75	55	12	91	200	50	4000

Misure della lunghezza a richiesta.

Under request different lengths available.

Sigla d'ordine/Specification number: TBR - d - S - n° supporti - Lunghezza L.

Sigla d'ordine/Specification number: TBR - d - S - n° linear case units - Length L.

Esempio: TBR 20 UU S 2 1000 (modello TBR-S, diametro albero 20 mm, 2 supporti TBR20UU, lunghezza L 1000 mm).

Example: TBR 20 UU S 2 1000 (TBR-S model, shaft diameter 20 mm, 2 TBR20UU supports, length L 1000mm).

Su richiesta è disponibile anche TBR40S.

By request TBR40S model is available too.



ALBERI E SUPPORTI ALBERO
SHAFTS AND SHAFT SUPPORTS

Alberi e supporti albero Shafts and shaft supports



1. Informazioni generali

Gli alberi di precisione NBS coprono una completa lista di applicazioni, sia normali sia speciali, le quali richiedono particolari caratteristiche. Inoltre, c'è la possibilità di fornire alberi con lavorazioni meccaniche aggiuntive sia standard, sia speciali (su disegno del cliente).

1. General informations

NBS precision shafts can be used for different applications, both standard and special, requiring the latter particular characteristics. Moreover, it is possible to supply shafts with standard and special additional mechanical works (on customer's design).

Forniture per l'industria gelmini s.r.l.

Parma - 0521.993844 Fax 0521.291688

Guidizzolo (MN) - 0376.847123 Fax 0376.840319

www.fornituregelmini.it

www.fornituregelmini.it



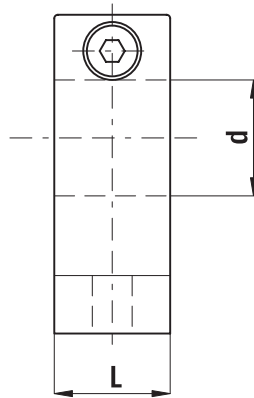
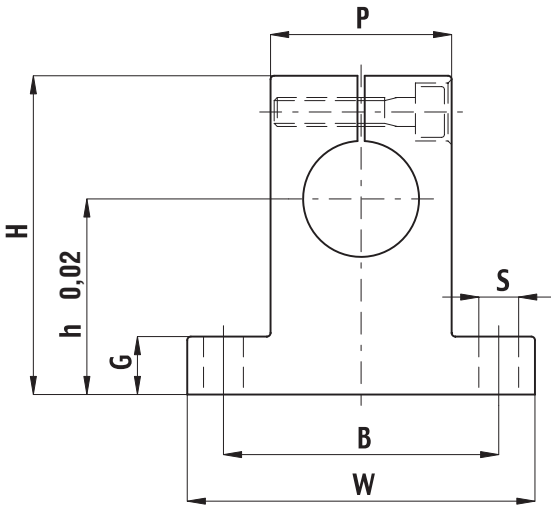
ALBERI E SUPPORTI ALBERO
SHAFTS AND SHAFT SUPPORTS

Alberi e supporti albero

Shafts and shaft supports

Alberi e supporti albero - Shafts and shaft supports

SK



Tipologia Type	Peso Weight [N]	d [mm]	h [mm]	W [mm]	B [mm]	P [mm]	S [mm]	G [mm]	H [mm]	L [mm]	Viti di montaggio Mounting bolt
SK 08	0.24	8	20	42	32	18	5.5	6	32.8	14	M 5
SK 10	0.24	10	20	42	32	18	5.5	6	32.8	14	M 5
SK 12	0.3	12	23	42	32	20	5.5	6	37.5	14	M 5
SK 13	0.3	13	23	42	32	20	5.5	6	37.5	14	M 5
SK 16	0.4	16	27	48	38	25	5.5	8	44	16	M 5
SK 20	0.7	20	31	60	45	30	6.6	10	51	20	M 6
SK 25	1.3	25	35	70	56	38	6.6	12	60	24	M 6
SK 30	1.8	30	42	84	64	44	9	12	70	28	M 8
SK 35	2.7	35	50	98	74	50	11	15	85	32	M 10
SK 40	4.2	40	60	114	90	60	11	15	96	36	M 10
SK 50	7.5	50	70	126	100	74	14	18	120	40	M 12
SK 60	11	60	80	148	120	90	14	18	136	45	M 12

Sigla d'ordine: SK - d
Specification number: SK - d

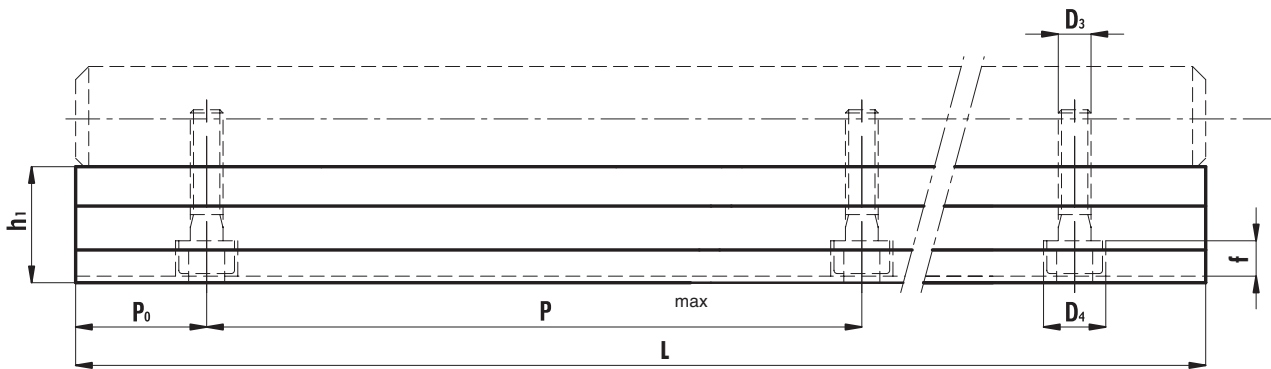
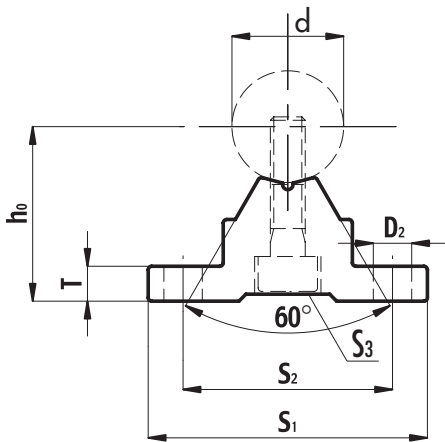


ALBERI E SUPPORTI ALBERO
SHAFTS AND SHAFT SUPPORTS

Alberi e supporti albero Shafts and shaft supports

Alberi e supporti albero - Shafts and shaft supports

SBR-L



Tipologia Type	Peso Weight [N/m]	d [mm]	D ₂ [mm]	D ₃ [mm]	D ₄ [mm]	f [mm]	h ₀ [mm]	h ₁ [mm]	S ₁ [mm]	S ₂ [mm]	T [mm]	P [mm]	P ₀ [mm]	S ₃	L _{max}
SBR 16L	10	16	5.5	5.5	9.5	5.4	25	17.8	40	30	5	200	50	M 5	4000
SBR 20L	12	20	5.5	5.5	9.5	5.4	27	17.7	45	30	5	200	50	M 6	4000
SBR 25L	15	25	6.6	6.6	11	6.5	33	21	55	35	6	200	50	M 6	4000
SBR 30L	19	30	6.6	6.6	11	6.5	37	22.8	60	40	7	200	50	M 8	4000
SBR 35L	24.5	35	9	9	14	8.6	43	26.5	65	45	8	200	50	M 8	4000
SBR 40L	32.5	40	9	9	14	8.6	48	29.4	75	55	9	200	50	M 8	3000
SBR 50L	52.6	50	11	11	7.5	10.8	62	38.8	95	70	11	200	50	M 10	3000

Misure della lunghezza a richiesta.
Under request different lengths available.

Sigla d'ordine: SBR - d - L - Lunghezza L
Specification number: SBR - d - L - Length L

Esempio: SBR 20L 1000 (modello SBR-L, diametro albero 20 mm, lunghezza L 1000 mm).
Example: SBR 20L 1000 (SBR-L model, shaft diameter 20 mm, length L 1000 mm)

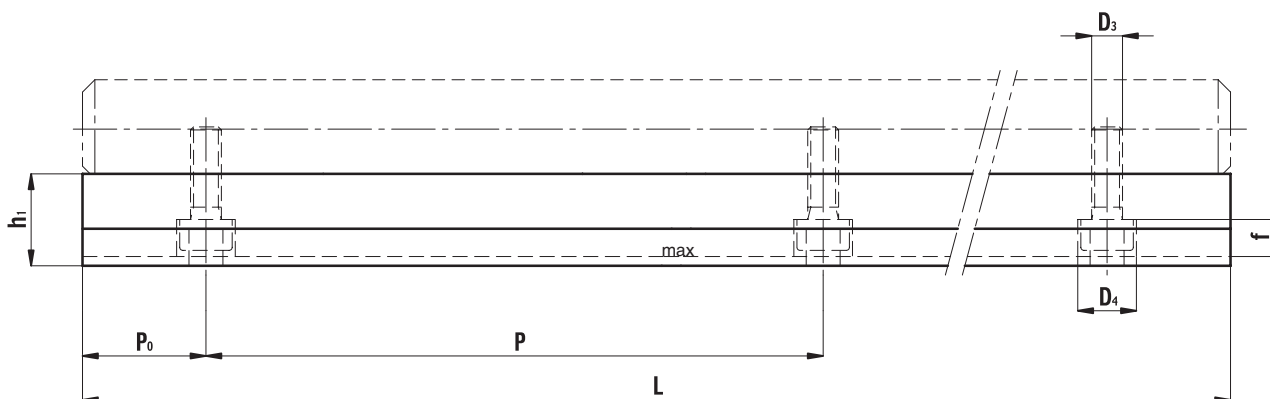
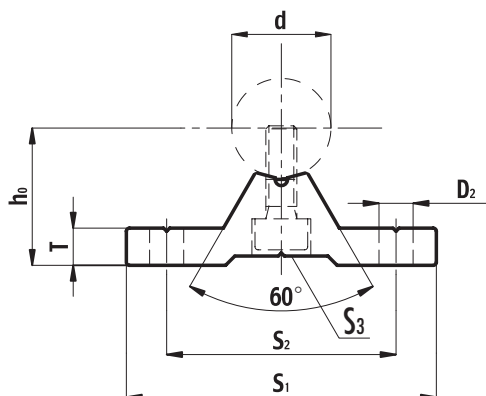


ALBERI E SUPPORTI ALBERO
SHAFTS AND SHAFT SUPPORTS

Alberi e supporti albero Shafts and shaft supports

Alberi e supporti albero - Shafts and shaft supports

TBR-L



Tipologia Type	Peso Weight [N/m]	d [mm]	D ₂ [mm]	D ₃ [mm]	D ₄ [mm]	f [mm]	h ₀ [mm]	h ₁ [mm]	S ₁ [mm]	S ₂ [mm]	T [mm]	P [mm]	P ₀ [mm]	S ₃	L _{max}
TBR 16L	11	16	5.5	5.5	9.5	5.4	22.1	15	50	37	6	200	50	M 5	4000
TBR 20L	18	20	5.5	5.5	9.5	5.4	29	19.4	55	40	8	200	50	M 6	4000
TBR 25L	20.5	25	6.6	6.6	11	6.5	32	20.1	65	45	10	200	50	M 6	4000
TBR 30L	28	30	6.6	6.6	11	6.5	36.5	22.5	75	55	12	200	50	M 8	4000

Misure della lunghezza a richiesta.
Under request different lengths available.

Sigla d'ordine: TBR - d - L - Lunghezza L
Specification number: TBR - d - L - Length L

Esempio: TBR 20L 1000 (modello TBR-L, diametro albero 20 mm, lunghezza L 1000 mm).
Example: TBR 20L 1000 (model TBR-L, shaft diameter 20mm, Length L 1000 mm).