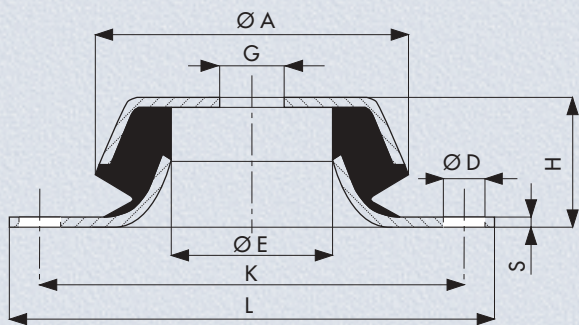
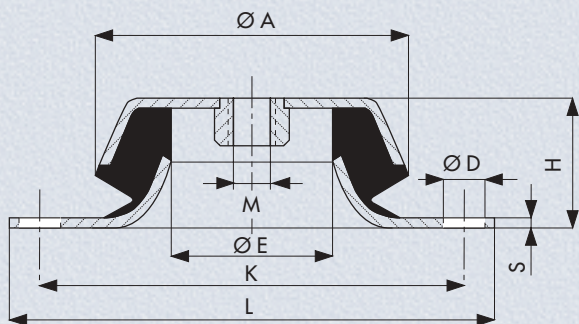


Tipo a Campana Bell-Shaped Type



COD.	A mm	D mm	E mm	G mm	H mm	K mm	L mm	S mm	* Kg
C62	62	10.2	25	12.5	30	85	100	2	200
C90	90	10.2	42	17	45	108	134	3	350
C115	115	16.2	60	24	45	150	190	4	600

* CARICO MAX

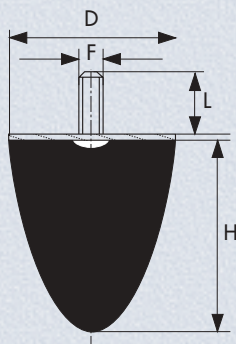


COD.	A mm	D mm	E mm	H mm	K mm	L mm	S mm	M mm	* Kg
C62D	62	10.2	25	30	85	100	2	M10	200
C90D	90	10.2	42	45	108	134	3	M16	350
C115D	115	16.2	60	45	150	190	4	M24	600

* CARICO MAX

Piedini a parabola Parabola-Shaped foot

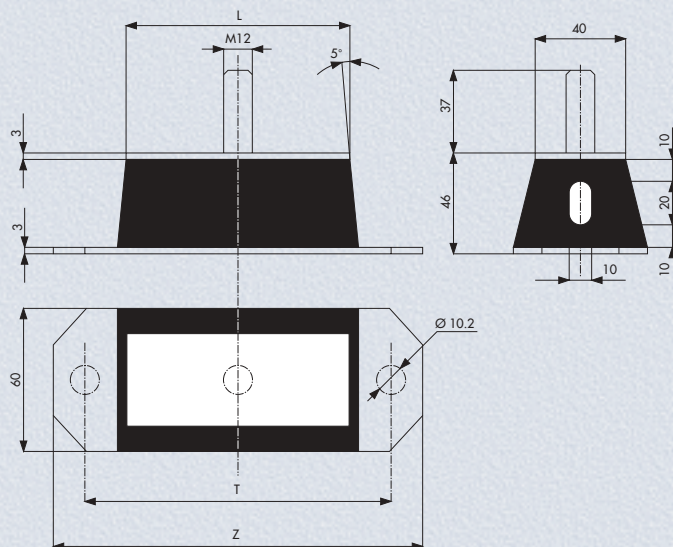
PM



COD.	D mm	H mm	F mm	L mm	* Kg
2530	25	30	6	18	20
3040	30	40	8	23	25
4035	40	35	8	25	35
5050	50	50	10	28	60
5065	50	65	8	35	55
6060	60	60	12	32	75
9585	95	85	16	47	250

* CARICO MAX

Elastici a Flangia Elastic at Flange



COD.	Z mm	L mm	T mm	Max. carico a comp.ne Max pressure load Kg
F115	115	50	85	500
F165	165	100	135	1200
F215	215	150	185	1400
F265	265	200	235	1600

Supporto a Flangia Damping at Flange

COD.	F mm	DxB mm	Durezza Hardness Shore	Max. carico a comp.ne Max pressure load Kg
G807045	105	80x70	45	650
G807060	105	80x70	60	950

